

A-level PHYSICS (7408/3A)

Paper 3 – Section A

Specimen 2014

Morning

Time allowed: 2 hours

Materials

For this paper you must have:

- a pencil
- a ruler
- a calculator
- a data and formulae booklet
- a question paper / answer book for section B.

Instructions

- Answer **all** questions.
- Show all your working.
- The total time for both sections of this paper is 2 hours.

Information

- The maximum mark for this section is 45.

Please write clearly, in block capitals, to allow character computer recognition.

Centre number

Candidate number

Surname

Forename(s)

Candidate signature _____

There are no questions printed on this page

**DO NOT WRITE ON THIS PAGE
ANSWER IN THE SPACES PROVIDED**

Section A

Answer **all** question(s) in this section.

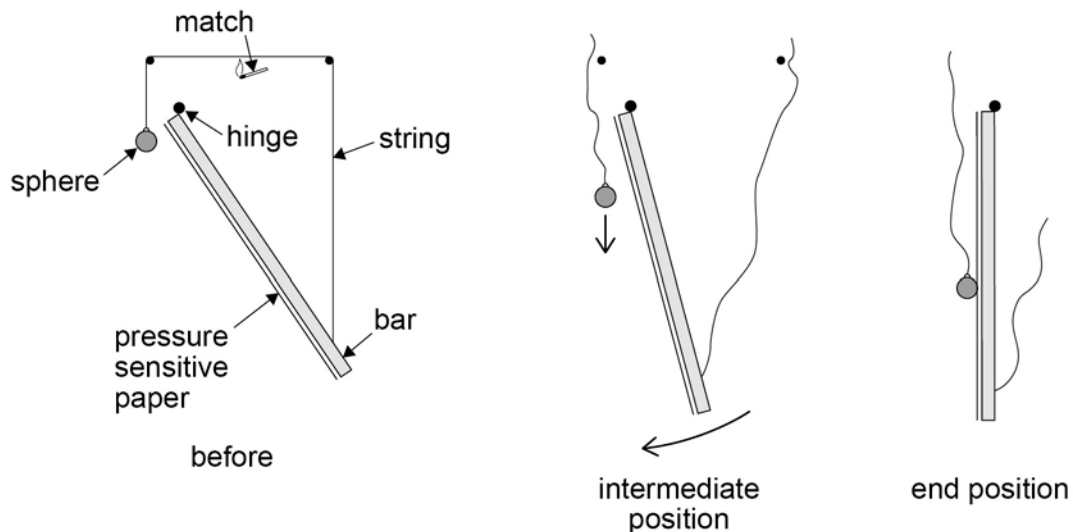
0 1

This question is about measuring the acceleration of free fall g .

A student undertakes an experiment to measure the acceleration of free fall.

Figure 1 shows a steel sphere attached by a string to a steel bar. The bar is hinged at the top and acts as a pendulum. When the string is burnt through with a match, the sphere falls vertically from rest and the bar swings clockwise. As the bar reaches the vertical position, the sphere hits it and makes a mark on a sheet of pressure-sensitive paper that is attached to the bar.

Figure 1



The student needs to measure the distance d fallen by the sphere in the time t taken for the bar to reach the vertical position.

To measure d the student marks the initial position of the sphere on the paper. The student then measures the distance between the initial mark and the mark made by the sphere after falling.

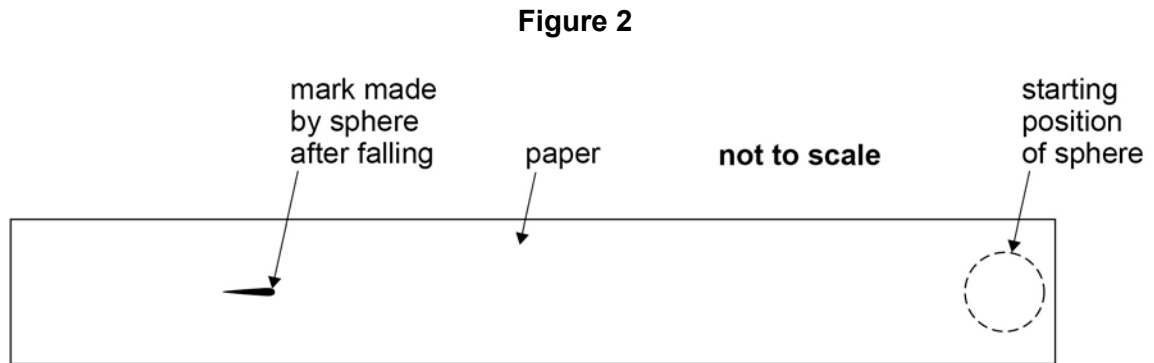
To measure t the student sets the bar swinging without the string attached and determines the time for the bar to swing through 10 small-angle oscillations.

Question 1 continues on the next page

0 1 . **1** **Figure 2** shows the strip of paper after it has been removed from the bar. The initial position of the sphere and the final mark are shown.

Mark on **Figure 2** the distance that the student should measure in order to determine d .

[1 mark]



0 1 . **2** The student repeats the procedure several times.

Data for the experiment is shown in **Table 1**.

Table 1

d / m
0.752
0.758
0.746
0.701
0.772
0.769

Time for bar to swing through 10 oscillations as measured by a stop clock = 15.7 s

Calculate the time for one oscillation and hence the time t for the bar to reach the vertical position.

[1 mark]

time _____ s

0 1 . **3** Determine the percentage uncertainty in the time t suggested by the precision of the recorded data.

[2 marks]

uncertainty = _____%

0 1 . **4** Use the data from **Table 1** to calculate a value for d .

[2 marks]

$d =$ _____m

0 1 . **5** Calculate the absolute uncertainty in your value of d .

[1 mark]

uncertainty = _____m

0 1 . **6** Determine a value for g and the absolute uncertainty in g .

[3 marks]

$g =$ _____m s⁻²

uncertainty = _____m s⁻²

0 1 . **7** Discuss **one** change that could be made to reduce the uncertainty in the experiment.

[2 marks]

0 1 . **8** The student modifies the experiment by progressively shortening the bar so that the time for an oscillation becomes shorter. The student collects data of distance fallen s and corresponding times t over a range of times.

Suggest, giving a clear explanation, how these data should be analysed to obtain a value for g .

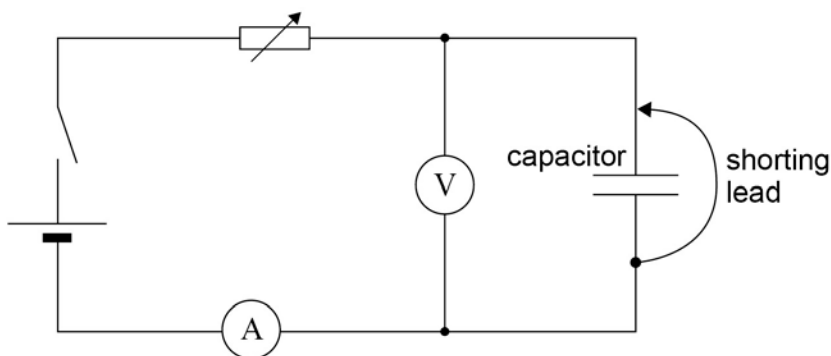
[3 marks]

0 2

This question is about capacitor charging and discharging.

A student designs an experiment to charge a capacitor using a constant current. **Figure 3** shows the circuit the student designed to allow charge to flow onto a capacitor that has been initially discharged.

Figure 3



The student begins the experiment with the shorting lead connected across the capacitor as in **Figure 3**. The variable resistor is then adjusted to give a suitable ammeter reading. The shorting lead is removed so that the capacitor begins to charge. At the same instant, the stop clock is started.

The student intends to measure the potential difference (pd) across the capacitor at 10 s intervals while adjusting the variable resistor to keep the charging current constant.

The power supply has an emf of 6.0 V and negligible internal resistance. The capacitor has a capacitance of 680 μF . The variable resistor has a maximum resistance of 100 k Ω .

0 2

. 1

The student chooses a digital voltmeter for the experiment. A digital voltmeter has a very high resistance.

Explain why it is important to use a voltmeter with very high resistance.

[1 mark]

Question 2 continues on page 9

There are no questions printed on this page

**DO NOT WRITE ON THIS PAGE
ANSWER IN THE SPACES PROVIDED**

0 2 . **2** Suggest **one** advantage of using an analogue ammeter rather than a digital ammeter for this experiment.

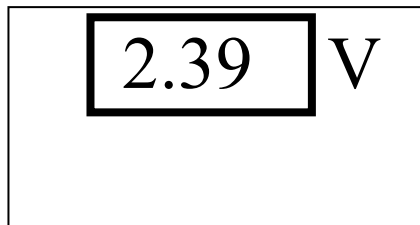
[1 mark]

0 2 . **3** Suggest a suitable full scale deflection for an analogue ammeter to be used in the experiment.

[2 marks]

full scale deflection = _____

0 2 . **4** The diagram shows the reading on the voltmeter at one instant during the experiment. The manufacturer gives the uncertainty in the meter reading as 2%.



Calculate the absolute uncertainty in this reading.

[1 mark]

uncertainty = _____ V

Question 2 continues on the next page

Turn over ▶

- 0 2** . **5** Determine the number of different readings the student will be able to take before the capacitor becomes fully charged.

[3 marks]

number = _____

- 0 2** . **6** The experiment is performed with a capacitor of nominal value $680 \mu\text{F}$ and a manufacturing tolerance of $\pm 5\%$. In this experiment the charging current is maintained at $65 \mu\text{A}$. The data from the experiment produces a straight-line graph for the variation of pd with time. This shows that the pd across the capacitor increases at a rate of 98 mV s^{-1} .

Calculate the capacitance of the capacitor.

[2 marks]

capacitance = _____ μF

- 0 2** . **7** Deduce whether the capacitor is within the manufacturer's tolerance.

[1 mark]

0 2 .

8

The student decides to confirm the value of the capacitance by first determining the time constant of the circuit when the capacitor **discharges** through a **fixed** resistor.

Describe an experiment to do this. Include in your answer:

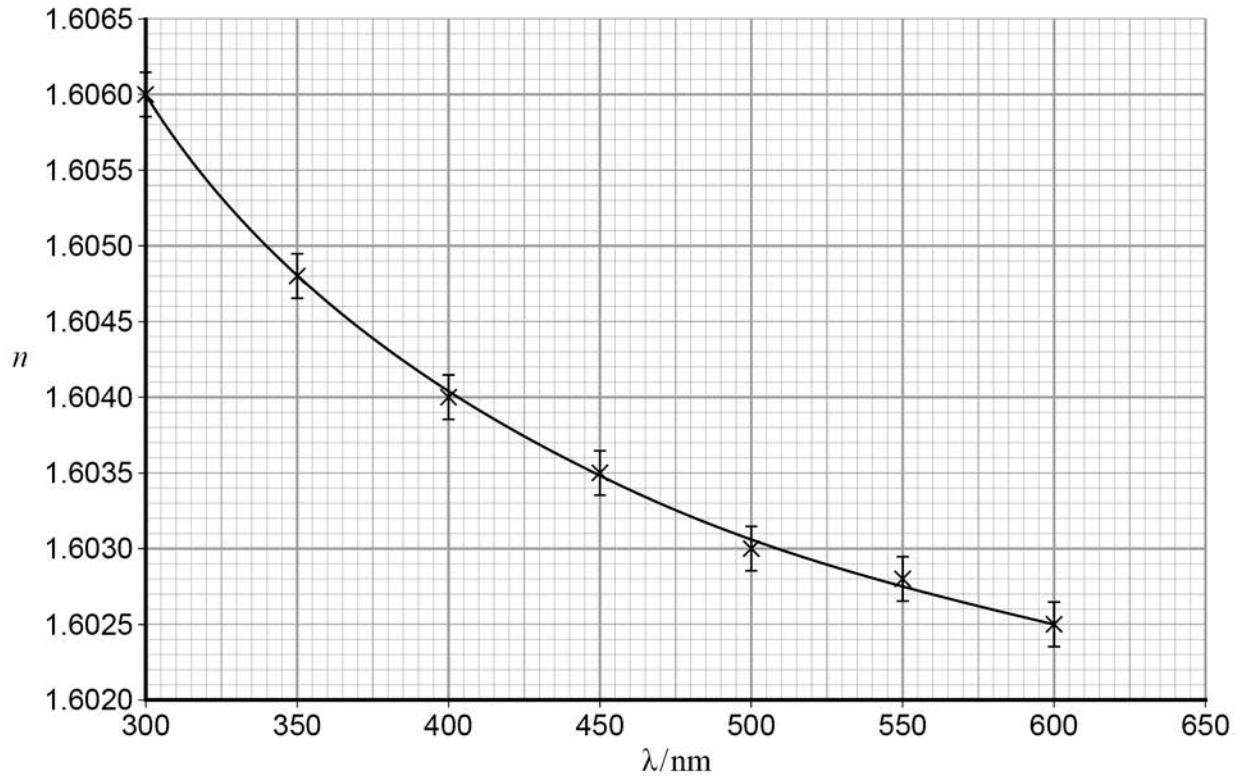
- a circuit diagram
- an outline of a procedure
- an explanation of how you would use the data to determine the time constant.

[4 marks]

0 3

Figure 4 shows how the refractive index n of a type of glass varies with the wavelength of light λ passing through the glass. The data for plotting the graph were determined by experiment.

Figure 4



0 3

. 1

A student says that **Figure 4** resembles that of the decay of radioactive atomic nuclei with time and that it shows half-life behaviour.

Comment on whether the student is correct.

[1 mark]

0 3 . **2** The dispersion D of glass is defined as the rate of change of its refractive index with wavelength. At a particular wavelength $D = \frac{\Delta n}{\Delta \lambda}$.

Determine D at a wavelength of 400 nm. State an appropriate unit for your answer.

[3 marks]

D _____ unit _____

Question 3 continues on the next page

0 3 . **3** It is suggested that the relationship between n and λ is of the form

$$n = a + \frac{b}{\lambda^2}$$

where a and b are constants. The data plotted in **Figure 4** are given in **Table 2**.

Table 2

λ / nm	n			
300	1.6060			
350	1.6048			
400	1.6040			
450	1.6035			
500	1.6030			
550	1.6028			
600	1.6025			

You are to determine a using a graph of n against $\frac{1}{\lambda^2}$.

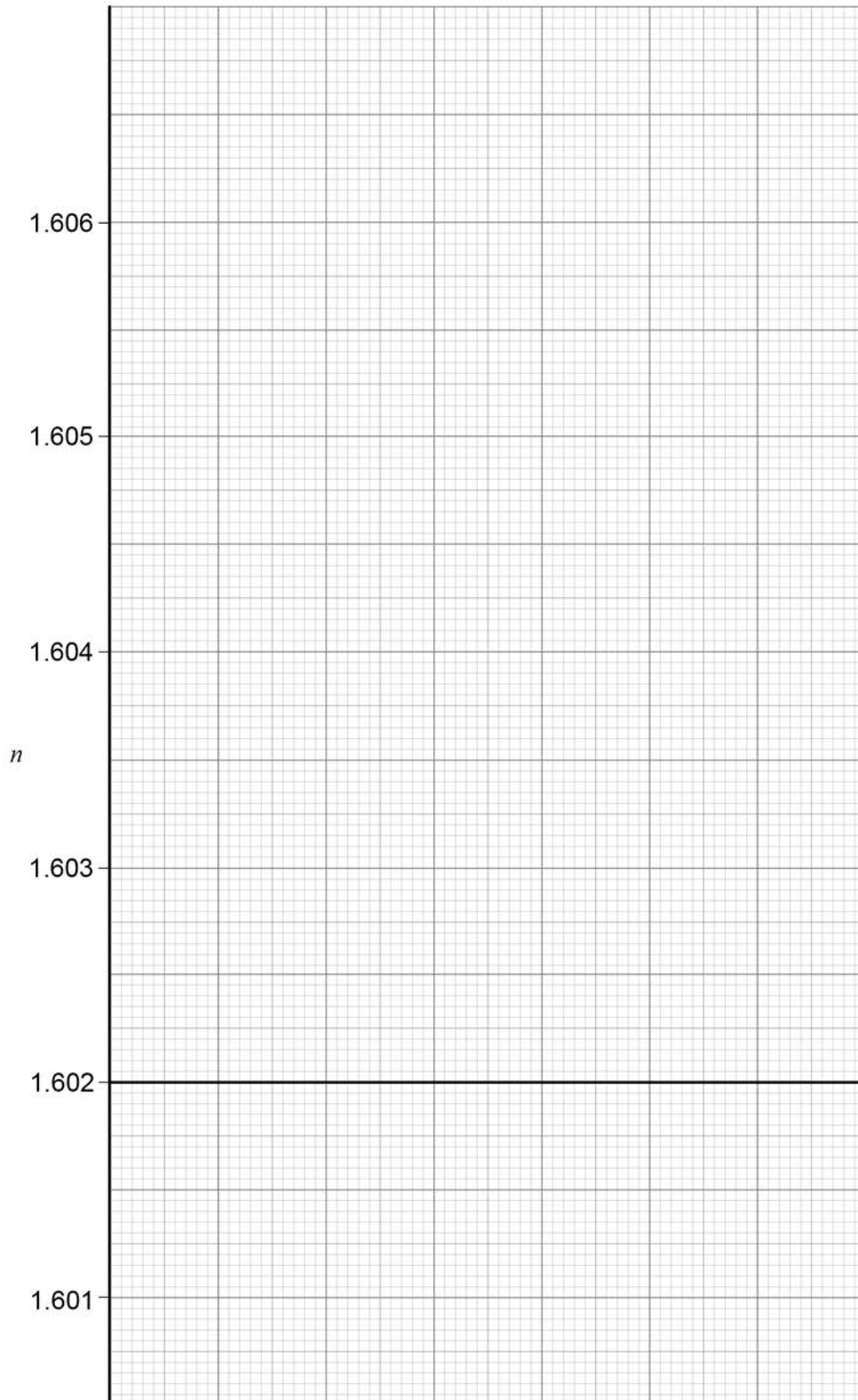
Make any calculations that you need to in order to plot your graph. The columns in **Table 2** are for you to use to calculate and tabulate the derived data that you need. You may not need all the columns.

[3 marks]

0 3 . 4 Plot your graph on **Figure 5**. The values of n are provided on the y -axis.

[3 marks]

Figure 5



Question 3 continues on the next page

Turn over ►

0 3 . 5 Use your graph to determine a .

[1 mark]

0 3 . 6 State the significance of a .

[1 mark]

0 3 . 7 Another suggestion for the relationship between n and λ is that

$$n = c\lambda^d$$

where c and d are constants.

Explain how d can be determined graphically. Do not attempt to carry out this analysis.

[3 marks]

END OF QUESTIONS